



# UV-MAX

## ULTRA RUGGED UV-C PORTABLE DISINFECTION

FOCUS ON CONSISTENT DISINFECTION OF ALL SURFACES

### FEATURES

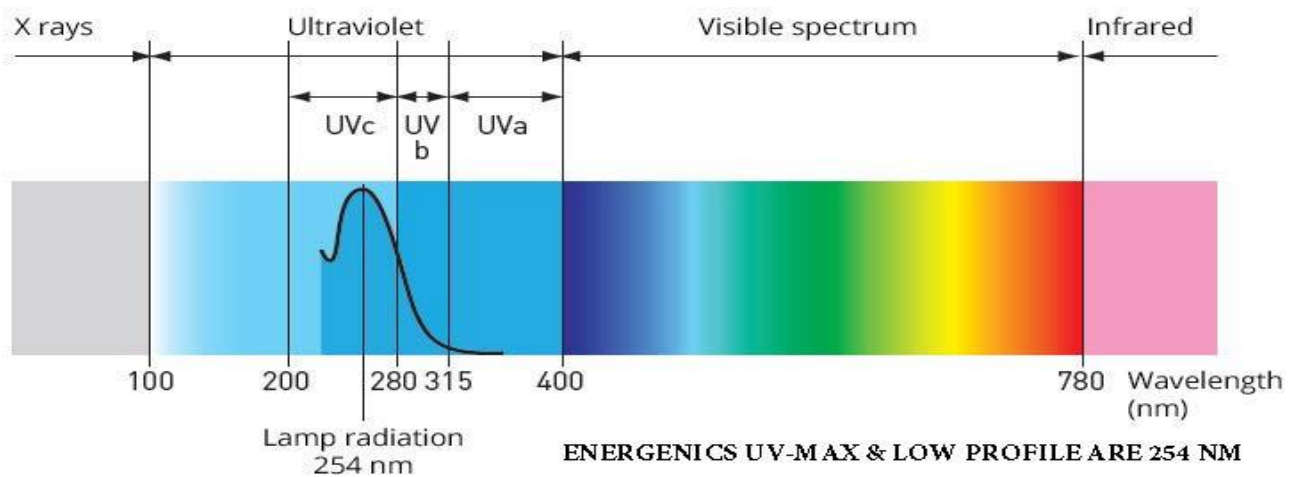


- COMMERCIAL, INDUSTRIAL, HOSPITAL BUILD QUALITY
- SHATTERPROOF BULBS
- REDUNDANT SAFETY FEATURES
- FULLY PORTABLE
- ASSEMBLED AND TESTED
- COMMON 120/60/1 VOLTAGE. OTHER VOLTAGES AVAILABLE
- 320 WATTS UV-C OUTPUT



### HOW DOES UV-C LIGHT KILL

**Ultraviolet** germicidal irradiation (UVGI) is a disinfection method that uses short-wavelength **ultraviolet (ultraviolet C or UVC) light to kill** or inactivate **microorganisms** by destroying and disrupting their DNA leaving them unable to perform vital cellular functions. **UV light** requires the use of germicidal wavelengths of 185-254 nanometers (nm).



## EXAMPLES OF DIFFERENT APPLICATIONS

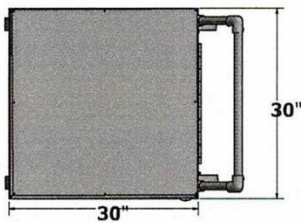
\*Linen Transport Vehicles  
 \*Surgical Pack Rooms  
 \*Long Term Care Centers  
 \*Offices & Work Areas  
 \*Hospital Patient Rooms

\*Ambulances  
 \*Soiled Sortation  
 \*Call Centers  
 \*Locker Rooms  
 \*Medical Offices

\*Surgical Centers  
 \*Nursing Homes  
 \*Fitness Centers  
 \*Classrooms  
 \*Firehouses

### FEATURES FOCUS ON SAFETY AND DURABILITY MANUFACTURED WITH INDUSTRIAL MATERIALS

- ANTI-MICROBIAL POWDERCOATED HEAVY DUTY METAL BASE
- 6" COMMERCIAL QUIET RUBBER CASTERS/WHEELS
- IP-56 SPLASH PROOF COOLING FILTERS/FANS
- HEAVY DUTY CUSHIONED BUMBERS PROTECTS AGAINST IMPACTS
- TOTAL CORNER PROTECTION PROTECTS UV-C BULBS
- SHATTERPROOF QUARTZ BULBS PROTECT WORKERS FROM BREAKAGE
- MOTION DETECTION PREVENTS UNSAFE OPERATION

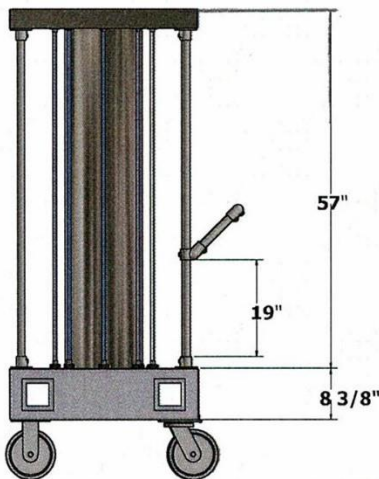


TOP VIEW UV-MAX AND  
 UV-MAX LOW PROFILE

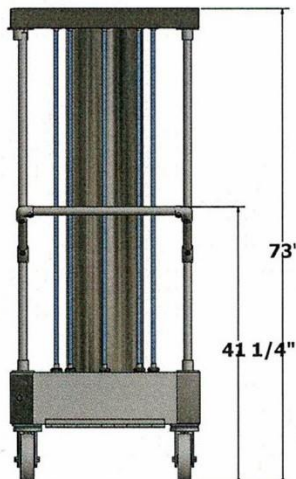
### UV-MAX AND UV-MAX LO PROFILE DIMENSION, WEIGHTS & UTILITY REQUIREMENTS

VOLTAGE 120/60/1 8 AMPS

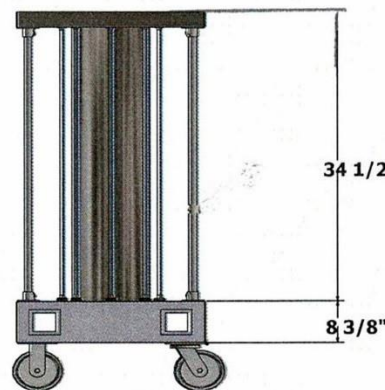
Operating Weight: UV-MAX 200 lbs UV-MAX LO PRO 120 lbs  
 Shipping Weight: UV-MAX 535 lbs UV-MAX LO PRO 405 lbs



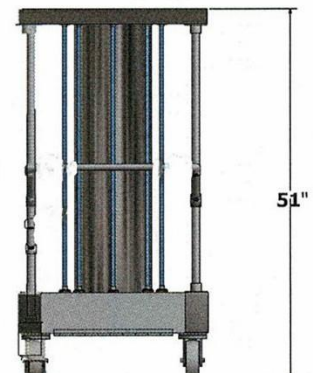
SIDE VIEW UV-MAX



REAR VIEW UV-MAX



SIDE VIEW UV-MAX  
 LOW PROFILE



REAR VIEW UV-MAX  
 LOW PROFILE



1470 Don St.  
 Naples, FL 34104  
 Tel. 239-643-1711  
 Fax 239-643-6071  
 Customer Service 800-944-1711  
[www.energenics.com](http://www.energenics.com)

EPA EST. NO. 96474-FL-1