

- A 45.50
- B 26.00
- C 12.75
- D 6.00
- E 42.38
- F 34.00
- G 10.00
- H 9.00
- I 1.50
- J 42.50
- K 4.00



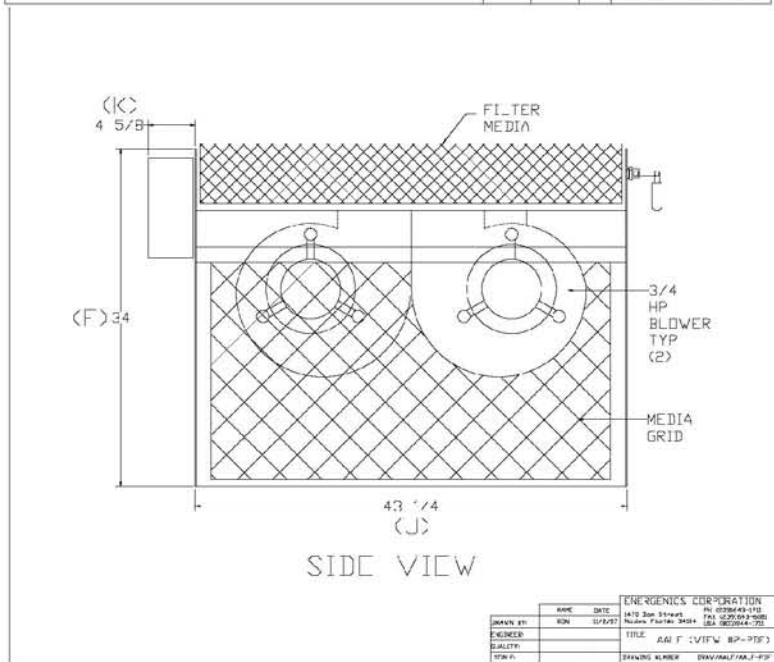
* Full media change on over pressure optional

WEIGHT 220 lb.

208-230/60/1 VAC

11.5 AMPS

* Totally enclosed 3/4 HP motor prevents lint clogging



* Optimum screen media, flatbonded polyester, designed to collect all lint and dust particles

* Energenics, the recognized leader supplying lint filtration to the commercial laundry business, is positioned perfectly to supply and service the new Lint Scrubber 8000 through its established market channels

* Optimum performance from ballanced power, max media surface and max coverage area benefits the laundry operations and employees

* The solid state UL control responds to the pressure transducer signal and advances filter media until the over pressure condition is satisfied. This insures constant uniform lint suction



- * Through its worldwide distributor chain, Energenics Corporation has served the commercial laundry business eliminating lint for over 30 years since its founding in 1974.
- * Let Energenics, with their local distributor, solve your airborne lint problems over your feeding, finishing, folding and ancillary equipment
- * The Lint Scrubber 8000 available in April of 2007

Sold and Serviced By:

1470 Don Street
 Naples, Florida 34104-3366
 Telephone 239-643-1711
 Fax 239-643-6081
 Customer Service 800-944-1711

www.energenics.com





AALF

Ambient Air Lint Filter

LINT SCRUBBER 8000



The Lint Scrubber 8000 is a true lint scrubbing vacuum, pulling the lint, dust and contaminants from the air

Energenics utilizes over 10 years of pressure transducer control technology to advance the filter media for optimum lint extraction.

Saves labor used to clean feeding, finishing and folding equipment

Continuously collects lint and dust created by processing

The 7,000 + CFM Lint Scrubber has the maximum served area, the employee work area is cleaner and safer

Optimum HP, maximizes the lint suction in the production area

Largest lint collection area coverage

Arrives completely assembled, ready to hang, plug in and start collecting lint

The upward exhaust pulls lint, dust and hot air away from workers and expensive equipment and controls

Easily positions over the machinery and processes that create secondary lint and dust as they process textiles.

Reduces daily maintenance, cleaning and compressed air blow off of lint from expensive feeding, ironing and folding equipment.

Utilizes Energenics 55 years of lint collection expertise and technology to advance the clean filter media, while removing the clogged media, to always maintain consistent vacuum suction over the cleaning area.