



www.energenics.com

1470 Don Street • Naples, Florida 34104

Telephone: (239) 643-1711
Fax: (239) 643-6081
Customer Service: (800) 944-1711

Installation & Operation Manual for Energenics AALF Lint Scrubber-8000

Table of Contents	Page 1
Description of Lint Scrubber Operation	Page 2
Receiving and Installation	Page 3
Important Installation Considerations	Page 4
Typical Installation over Ironer/Folder	Page 5
Dimensions – Side View	Page 6
Dimensions – End Views	Page 7
Operation of UL® Control	Page 8
Changing the Filter Media	Page 9
Filter Media Routing Diagram	Page 10
Warranty Statement	Page 11

Description of Lint Scrubber 8000 Operation

Your new Lint Scrubber 8000 has a UL® listed control. The Energenics control represents state of the art in the Laundry Industry for operations and safety.

The Lint Scrubber 8000 utilizes two ¾ HP vacuum blowers to draw the lint filled air past filter media of 200 micron that layers the lint onto the surface of the media.

The filter media of flat bonded polyester is specifically designed to collect lint and dust particles created by laundry textile handling operation.

When turned on the machine suctions the air-borne lint onto the screen. When the screen loads with lint and optimum air flow is being limited by the lint buildup, the pressure transducer signals the filter control and advances the filter material until enough clean screen allows the air flow to return to satisfactory levels. The unit has an adjustable timer should the user want a greater amount of clean media after the pressure set point is achieved. As the media is used the user should adjust the timer so that only the loaded media is drawn by the take-up reel leaving clean media on the collecting surface. If the Lint Scrubber is equipped with the optional Lint Sensor, the media will travel until the whole inlet has clean media for maximum lint removal. This will not require manual adjustment of the timer.

The Lint Scrubber also has a counter built in to indicate the amount of cycles for media advance. This feature allows management to track longevity of filter media life. In essence full frame indexing will allow 50 cycles per roll of filter media.

The exhaust from the Lint Scrubber is directed vertically to assist in cleaning pipes, lights, and other devices overhead. Vertical exhaust will prevent the operators from being blown upon also.

The Lint Scrubber media will last approximately 6 months in normal operation. It is important to have a spare roll ready for immediate replacement.

Proper operation is noted when the green light is illuminated. During media advance the yellow light will also illuminate.

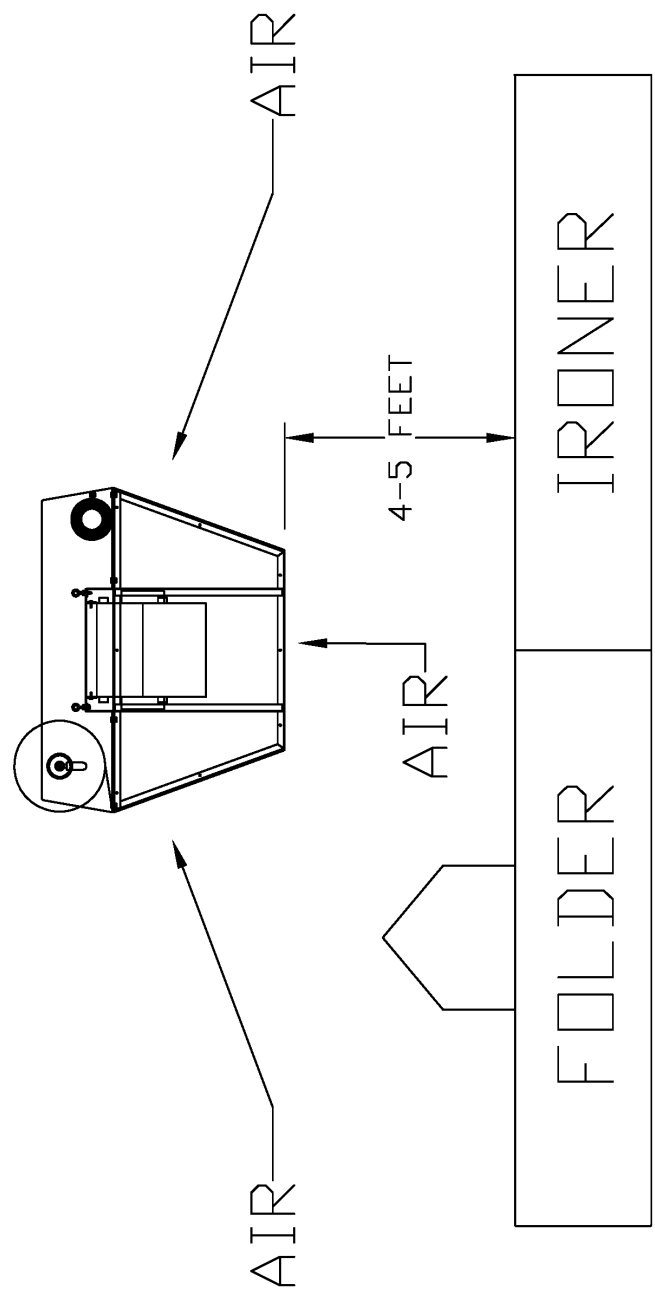
Receiving and Installation

1. Before you sign delivery documentation, please inspect all packaging to assure there is no freight damage. It is your responsibility because all shipments are FOB Factory. Once freight is on board, Energenics is released from all liability for damage caused in transit. Energenics will assist in the process of claims to the carrier for damages.
2. All packaging should be kept intact in the unlikely situation where the items have to be returned to the factory for warranty reasons. Some of the components are manufactured by others and they stipulate that all warranty items be packaged in the original materials. In the event that packaging is non-standard a 20% restocking fee shall be imposed as we will be expected to pay the manufacturer for non-compliance of their terms.
3. After removing 2 pads and wrap, place unit horizontally on flat surface. Do not lay unit on either end or in the upside down position.
4. After inspecting the unit for damage, feel free to sign delivery receipt.

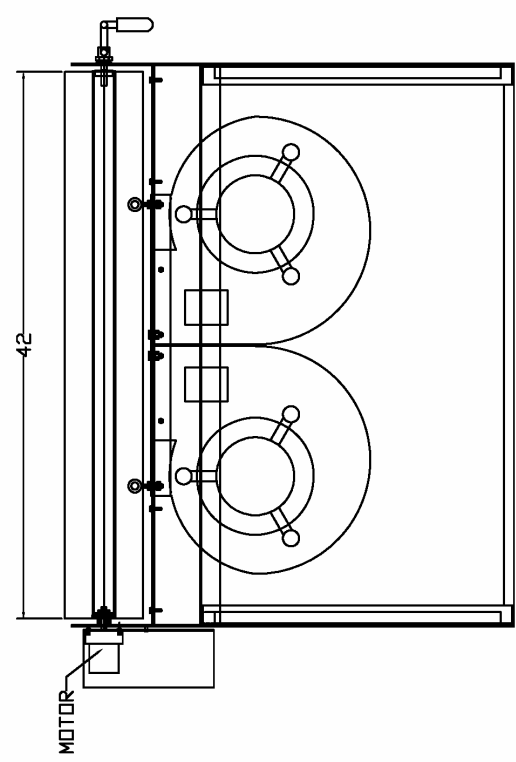
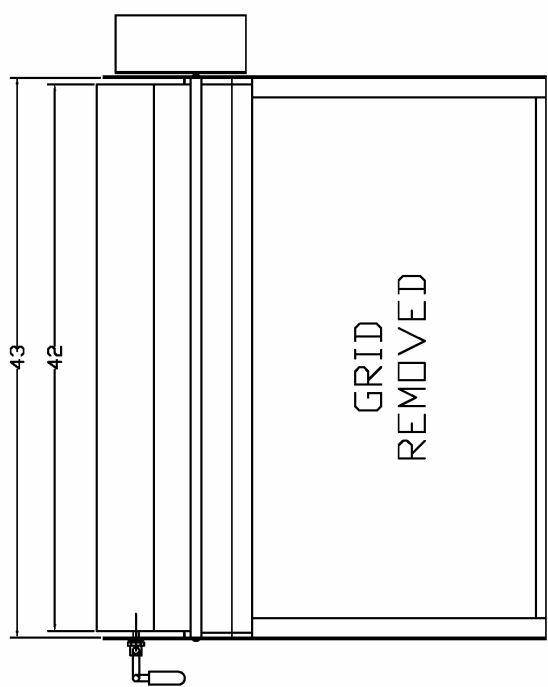
Important Installation Considerations

1. Hang the Filter approximately 4-5 feet over the ironer folder, midway as the folding machinery starts.
2. Suspend the filter with chain or cable capable of supporting 300 lbs at the 4 eye bolt connection points. Level the filter.
3. Complete the electrical connection, either by utilizing the attached plug or by rewiring to meet other local codes. Electrical 208-230/60/1 VAC
11.5 AMPS
4. Note that the media is installed on the machine. The first three feet or so of the media may be damaged in shipment. Check for any holes or tears. If damage is noted, simply push the Manual Advance button and expose a new area of media and tighten the media on the filter.
5. It is important that the unit be accessible to a service tech to replace the media without removing the entire unit.
6. Turn the filter on high and operate. Proper operation is indicated with the green light illuminated. During media advance the yellow light will also illuminate also.

USED FILTER NEW FILTER

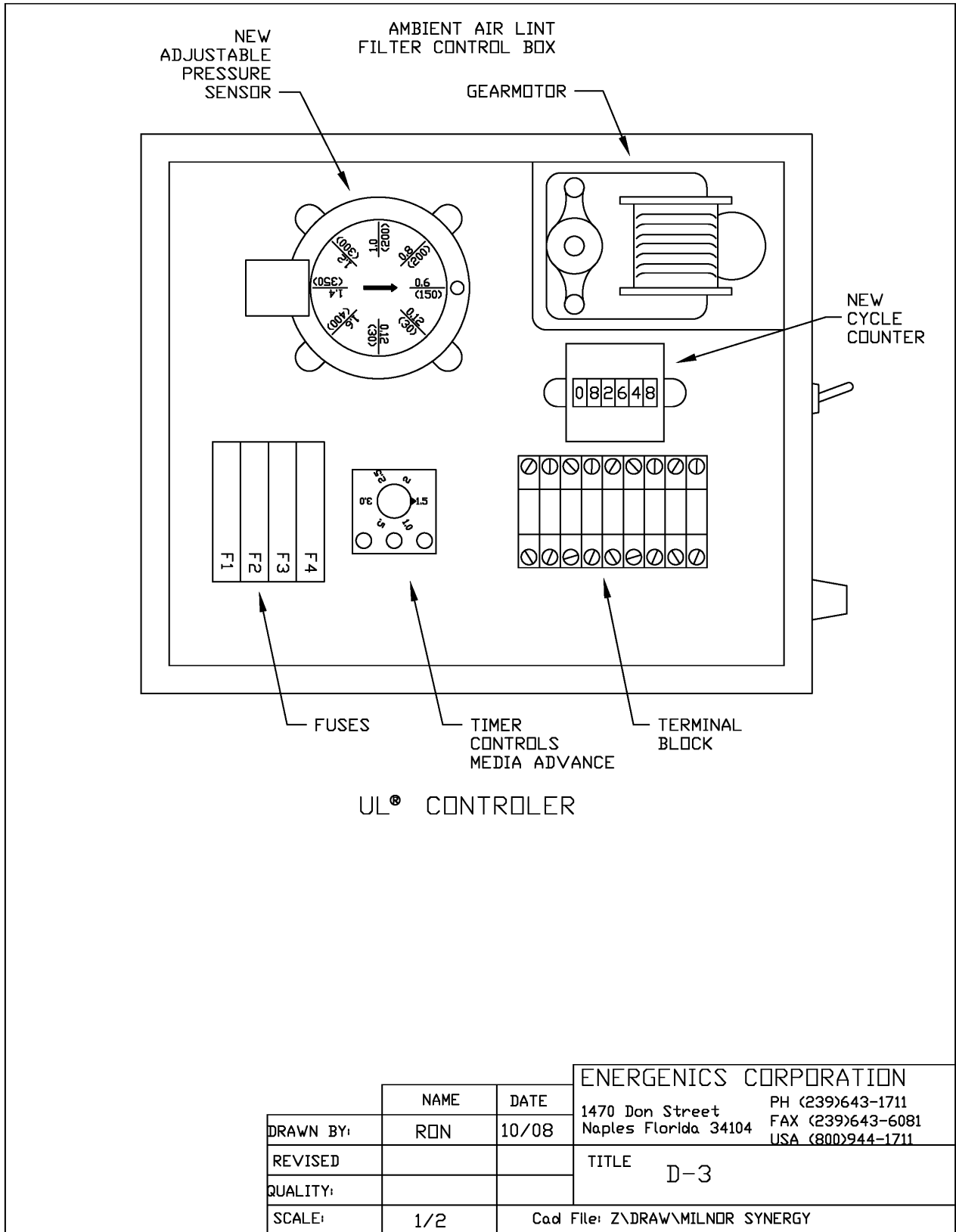


ENERGENICS CORPORATION		PH (239)643-1711	
1470 Don Street		FAX (239)643-6081	
Naples Florida 34104		USA (800)244-1711	
TITLE AALF		INSTALLATION	
NAME	DATE	Cod File: Z\DRAW\AALF\INSTALL	
RON	6-06		
RON	10/08		
SCALE:	20X		



SIDE VIEWS

DATE	1/2/02	ENERGENICS CORPORATION
BY	J. J. J. J.	FOR
CHKD	J. J. J. J.	BY
DATE	1/2/02	PROJECT NO.
BY	J. J. J. J.	DATE
CHKD	J. J. J. J.	TITLE
DATE	1/2/02	AALF (VIEW #)
BY	J. J. J. J.	DRAWING NUMBER
CHKD	J. J. J. J.	REVISED
DATE	1/2/02	SCALE



			ENERGENICS CORPORATION	
	NAME	DATE	1470 Don Street	PH (239)643-1711
DRAWN BY:	RON	10/08	Naples Florida 34104	FAX (239)643-6081
REVISED			TITLE D-3	
QUALITY:				
SCALE:	1/2		Cad File: Z:\DRAW\MILNDR SYNERGY	

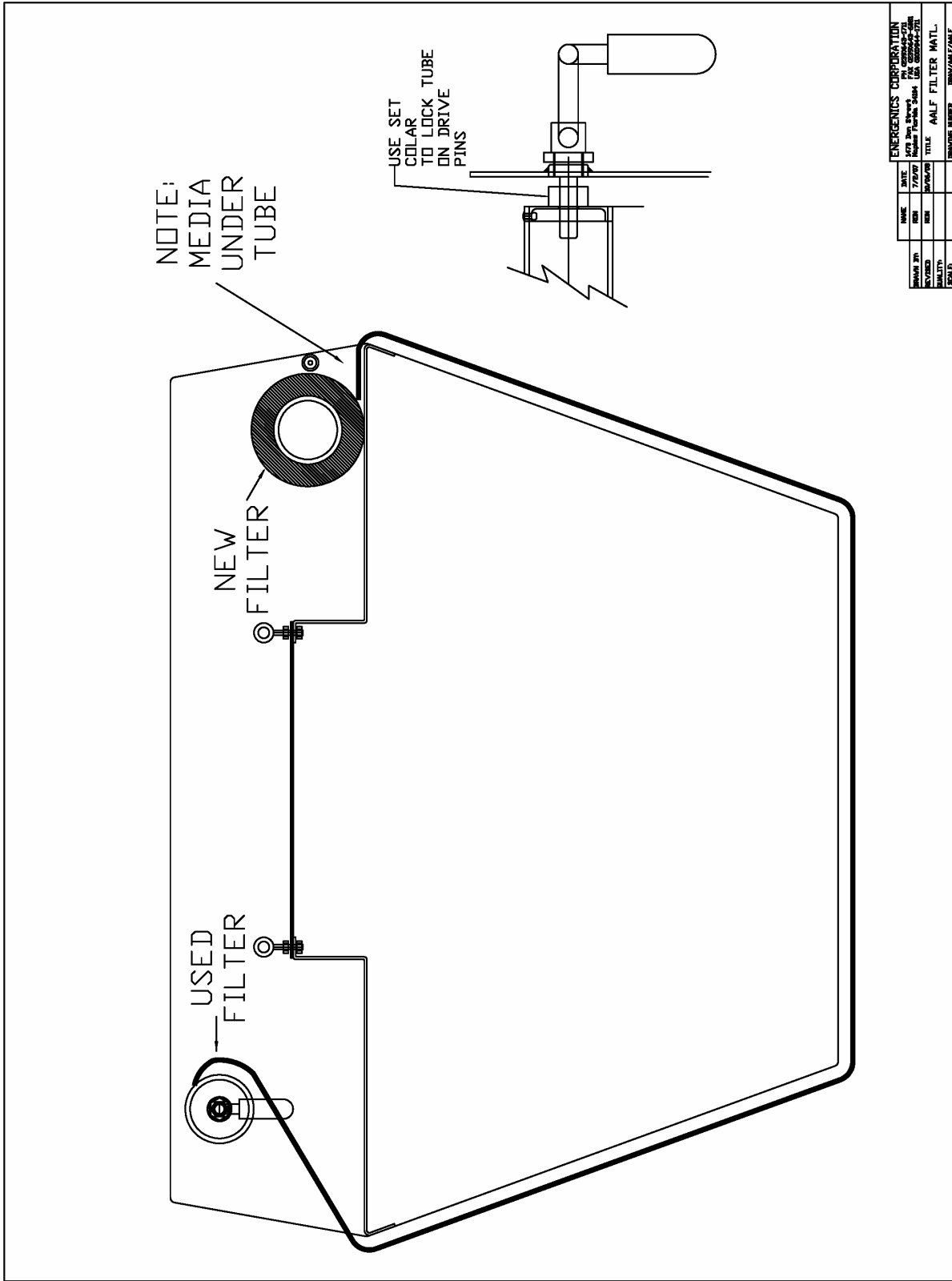
Changing the Filter Material Roll

The filter material roll has 100 yards of material. The roll needs to be changed in two instances:

1. The entire roll of clean media is rolled up with lint on the lint take-up tube, filled with lint.
2. The lint blanket being rolled up by the lint take-up tube is too large and rubs against the filter side and can no longer advance. Cut the media along the clean part for reattachment using one of the extra rolls supplied with the Lint Scrubber.

To Change the Media Roll:

1. Follow the Diagram on Page 10 for illustration.
2. Open the red handle, pulling the pin out of the roll.
3. Slide the roll toward the red handle end and off the drive. Discard the full lint take-up roll in an environmentally acceptable manner.
4. Put the new take up roll in place of the discarded roll. Slide onto the three pin drive end. Align the other end with the red handle pin, add the spacers to the red handle pin and insert in the roll.
5. If the take up roll was too large and discarded before all the clean media was expended, re-attach the clean media to the two sided tape on the take-up roll.
6. Manually advance the media until tight.



LIMITED WARRANTY & DISCLAIMER STANDARD CONDITIONS OF SALES

Energenics Corporation (herein called Energenics) warrants to the original purchaser, & to the original purchaser alone, its products to be free from defects in material and workmanship under normal use & service for a **period of twenty-four (24) months from the date of shipment**. Energenics' obligations under this warranty shall be limited solely to the repair or replacement of such parts, which Energenics examination shall disclose to Energenics satisfaction to have been thus defective & to the shipment of the repaired or replacement part or parts to the original purchaser F.O.B. point of shipment. In no event shall Energenics be liable for any consequential, incidental or special damages of any kind caused by the defect. The Warranty set forth shall not apply to & Energenics shall not be responsible for any equipment or part, which has been repaired or altered in any way, regardless of how or why the part was altered or repaired nor for any equipment or part, which has been subjected to the negligence or accident, improper use or care, nor for equipment or part with respect to which Energenics instructions relating to installation, maintenance, or use have not been followed. This limited warranty is expressly made in lieu of all other warranties, expressed or implied, and in lieu of all other obligations or liabilities on the part of Energenics.

The purchaser by acceptance of the delivery of any part or product from Energenics agrees to indemnify Energenics & to hold it harmless against any liability, which may arise if the part or product received is mis-applied, improperly installed, improperly maintained, misused or abused, altered or rendered partially or totally inoperative due to any cause.

RETURNS: Merchandise may not be returned unless an **RMA** is obtained from Energenics.

A copy of the **RMA** must accompany the returned item as the packing Slip. Energenics will assume no responsibility for merchandise returned neither without such prior approval nor for any charges or expenses incurred therewith.

CANCELLATIONS: Any order may be cancelled by the purchaser only upon written notice & upon payment to Energenics of reasonable & proper cancellation charges.

SALES & SIMILAR TAXES: Energenics prices do not include sales, use, gross receipts, excise or similar taxes, license fees & export or import duties. All taxes or other charges assessed to Energenics by reason of a transaction with the Purchaser must be paid by the Purchaser.

PRICE POLICY: All sales are made **F.O.B. point of shipment**. All prices are subject to change without notice.

DESIGN CHANGES: Energenics reserves the right to make changes in the design & changes or improvements in its products without notice or without imposing any obligation upon Energenics to install the same upon products heretofore manufactured.

GENERAL: No alteration, modification or extension of the foregoing conditions shall be binding upon Energenics unless made in writing & signed by an officer of Energenics.