

AF-3-SM

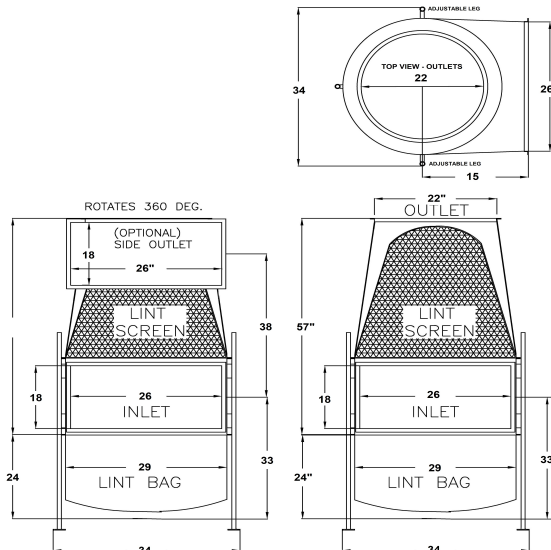
UTILITY-FREE STANDARD MOUNT LINT FILTER FOR OPL

Features:

- Completely utility free
- Self-cleaning (at dryer shutoff)
- Easy access/empty lint receptacle
- Dryer inlets included (specify size & quantity)
- Top or side exhaust outlet (must specify)
- UL Class 2 fire retardant fiberglass & polyester mono-filament mesh
- Includes legs for floor or pad support
- Fire suppression protection (optional)

Benefits:

- Catches ~98% of small dryer lint bypass
- Decreases lint build-up in ducting
- Protects air handling equipment / landscaping near exhaust vents
- Minimal maintenance
- Zero operating cost



AIR FREE
SERIES



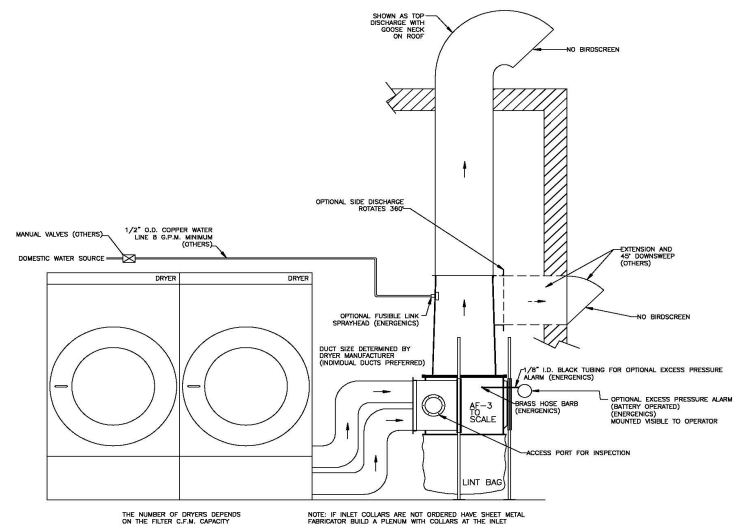
Image: AF-3 Multi-Dryer w/ Side Discharge

Added Options:

- Battery powered pressure alarm
- Fire suppression kit
- Airflow optimizer package (for duct runs over 50')

Capacity:

- 3,000 CFM



Single or Multi-Dryer,
Interior or Exterior Application