

# AF-10-FM

## UTILITY-FREE FLAT MOUNT LINT FILTER FOR OPL

### Features:

- Completely utility free
- Self-cleaning (at dryer shutoff)
- Easy access/empty lint receptacle
- Dryer inlets included (specify size & quantity)
- Top or side exhaust outlet (must specify)
- UL Class 2 fire retardant fiberglass & polyester mono-filament mesh
- Mounts for floor, wall, or pad
- Fire suppression protection (optional)

### Benefits:

- Catches ~98% of small dryer lint bypass
- Decreases lint build-up in ducting
- Protects air handling equipment / landscaping near exhaust vents
- Minimal maintenance

AIR FREE  
SERIES



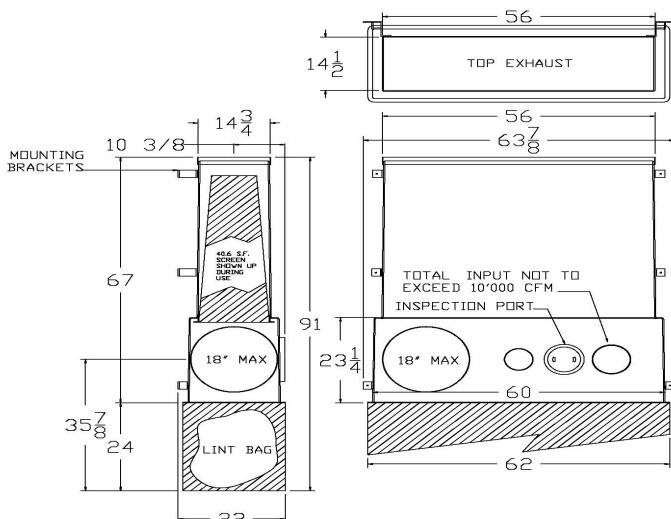
AF-2 Multi-Dryer Top Discharge w/ 8" Inlets

### Added Options:

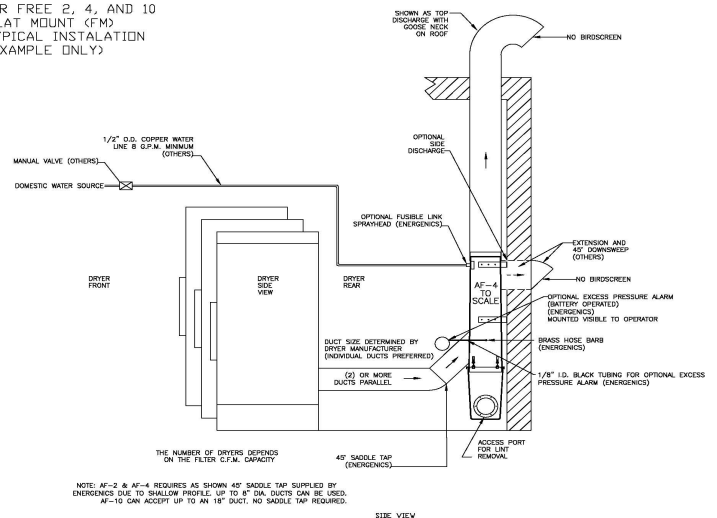
- Battery powered pressure alarm
- Fire suppression kit
- Airflow optimizer package
- Mounting legs

### Capacity:

- 10,000 CFM



AIR FREE 2, 4, AND 10  
FLAT MOUNT (FM)  
TYPICAL INSTALLATION  
(EXAMPLE ONLY)



NOTE: AF-2 & AF-4 REQUIRES AS SHOWN 40" SADDLE TAP SUPPLIED BY  
ENERGENICS DUE TO SHALLOW PROFILE. UP TO 4" DIA. DUCTS CAN BE USED.  
AF-10 CAN ACCEPT UP TO AN 18" DUCT. NO SADDLE TAP REQUIRED.



Single or Multi-Dryer,  
Interior or Exterior Application

www.energenics.com