

AF-1

UTILITY-FREE DUCT MOUNTED LINT FILTERS FOR OPL

Features:

- Completely utility free
- Self-cleaning (at dryer shutoff)
- Integrates easily into existing ducting
- Battery powered pressure alarm
- Powder-coated steel & polyester mono-filament
- Lint bag and optional wall mounts (included)
- Fire suppression protection (optional)

Benefits:

- Catches ~98% of small dryer lint bypass
- Decreases lint build-up in ducting
- Protects air handling equipment / landscaping near exhaust vents
- Minimal maintenance

AIR FREE SERIES



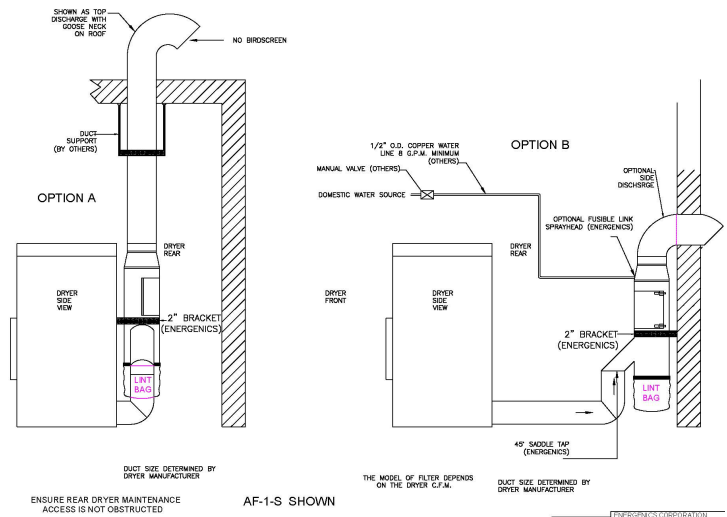
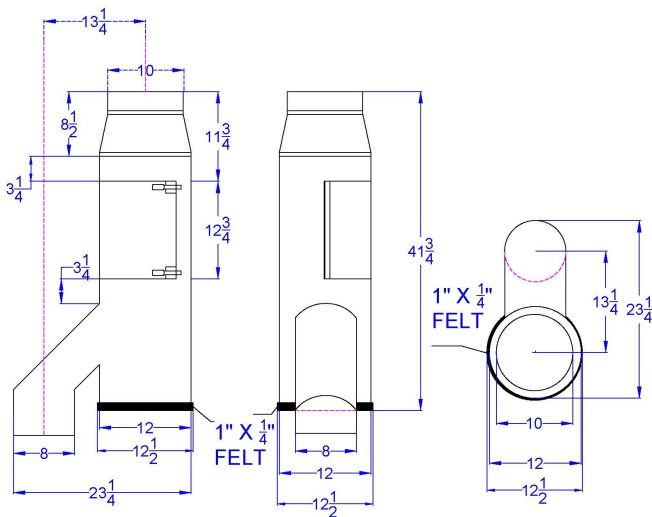
In-Duct AF-S Filter (self cleaning model)

Added Options:

- Mounting legs
- Booster fan

Capacity:

- 1,000 CFM



Single-Dryer Horizontally Mounted Application